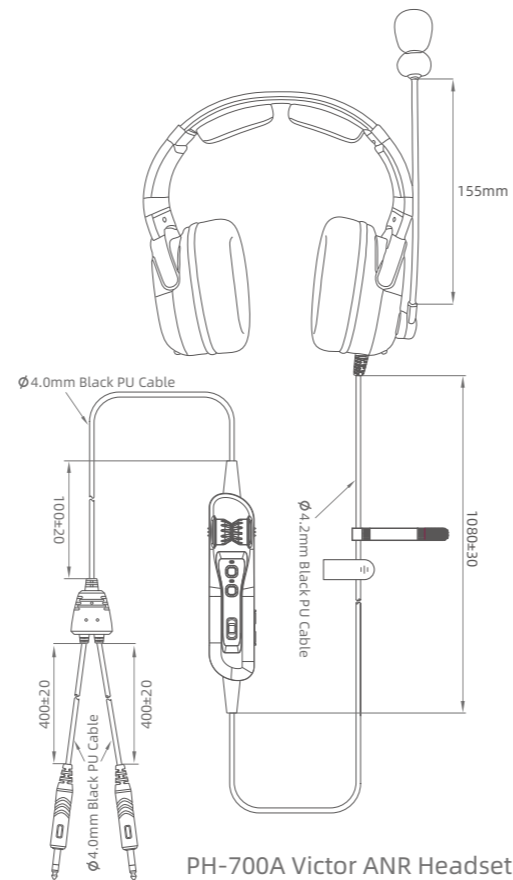


# USER GUIDE

## PH-700A Victor ANR Aviation Headset with Bluetooth



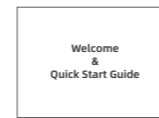
### What's in the Box



User manual



Community Invitation Card



Welcome & Quick Start Guide



Carrying case

\*Note:



2 AA batteries  
(not included)

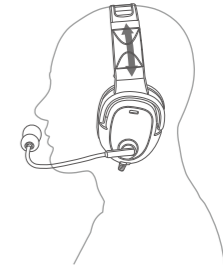
### Specifications

| TYPE        | INTERCOM |                | NOISE REDUCTION |                  |
|-------------|----------|----------------|-----------------|------------------|
|             | SPEAKER  | MICROPHONE     | SPEAKER         | MICROPHONE       |
| Size        | 39.8*9mm | 9.85*5.5*2.6mm | 39.8*9mm        | 6*2.2mm          |
| Type        | Dynamic  | Silicon Wheat  | Dynamic         | Capacitors       |
| Impedance   | 32Ω±10%  | 2.2KΩ          | 32Ω±10%         | 2.2KΩ            |
| Sensitivity | 110±3dB  | -54±3dB        | 110±3dB         | -39±3dB          |
| Directivity | /        | Bi-Directional | /               | Omni-Directional |

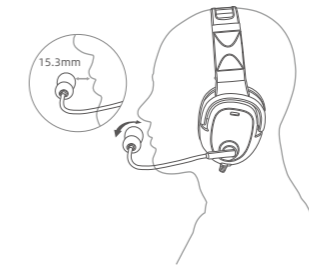
### Operation Instructions



Locate the left (L) and right (R) icons inside the earcups to orient the headset properly.



Place the headset on your head. Adjust the headband so the ear cushions completely cover your ears.



Grasp the microphone base and adjust the boom so the microphone is positioned 0.6" (15.3 mm) from your lips.



Place the headset in the carry case and position the mic over the headband to prevent boom chafing.

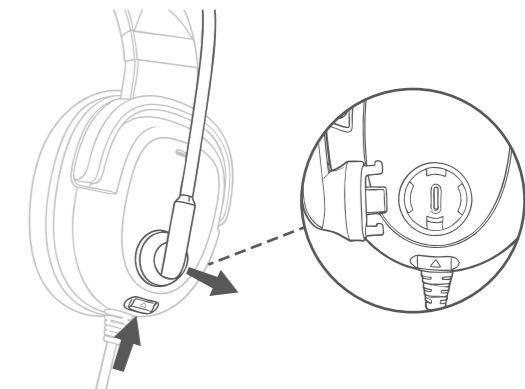
### Microphone Placement

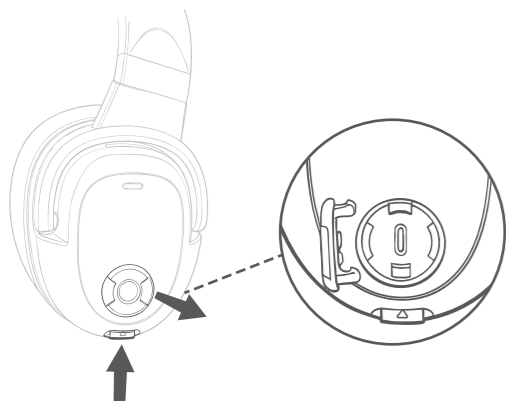
#### Step 1

Locate the release button on the bottom of the earcup with the microphone attached.

#### Step 2

Press and hold the release button while pulling the microphone upward to remove it.





### Step 3

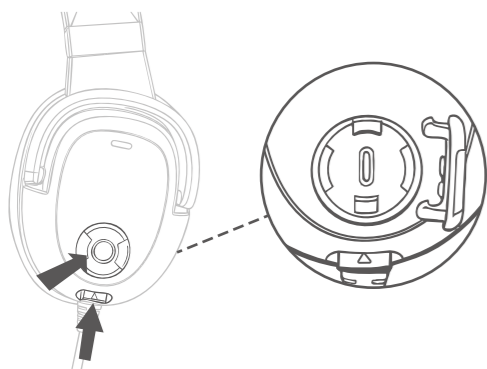
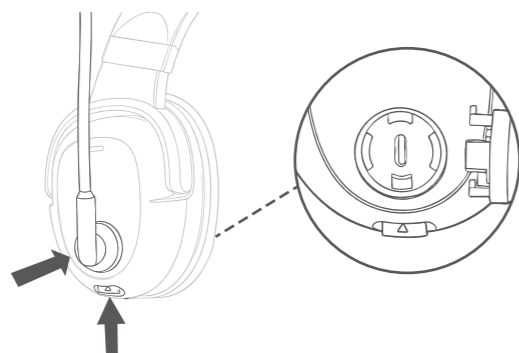
Press and hold the release button on the other earcup, then remove the microphone port cover.

### Step 4

Align the microphone with the port and insert it until it clicks securely into place.

#### \*NOTE:

Keep the alignment tab on the microphone or port cover facing upward when inserting it into the earcup port.



### Step 5

Press and hold the release button without the microphone. Install the microphone port cover onto the earcup port (the side where the microphone was removed), and press it until it is securely fixed.

#### \*NOTE:

Do NOT force the microphone port cover into the socket. If the microphone port cover is not securely installed, there will be no audio in the earcup.

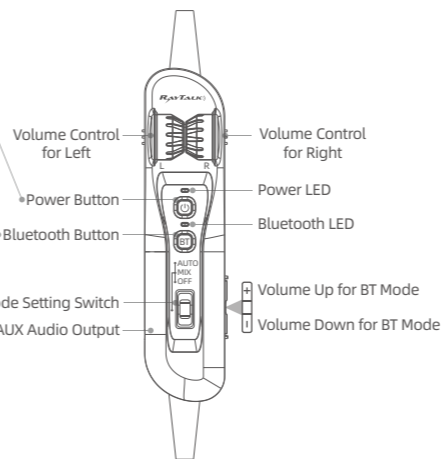
Press and hold Power button >2s to turn on or off.

Press and hold the Bluetooth button >2s to turn on or off. When turning on, press once after the prompt to enter pairing mode.

Call Handling  
 Answer a call: Short press the Bluetooth button.  
 End a call: Short press the Bluetooth button.  
 Reject a call: Press and hold the Bluetooth button >1s.  
 Redial last number: Double press the Bluetooth button.

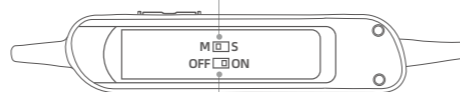
3-Way Audio Priority Switch: (AUTO) Intercom Priority, (MIX) All Audio Sources, (OFF) Intercom Only

When an audio cable is connected to the AUX socket, Bluetooth music playback is automatically paused and audio recording starts.



Mono and Stereo switch

Default Setting: Mono Mode



Auto Power-Off Switch

ON: When the headset is not plugged into the intercom, it will turn off automatically after 1 h if music is playing, or after 10 min if no music is playing.

OFF: The headset remains on regardless of connection or playback status; no auto shut-down will occur.

## Status Lights

### Power Indicator Light

| Status         | Light Activity                                     |
|----------------|--|
| High Battery   | Blue LED slowly flashes every 4 seconds            |
| Medium Battery | Purple LED slowly flashes every 4 seconds          |
| Low Battery    | Red LED slowly flashes every 4 seconds             |
| Power on       | Blue LED remains solid for 1 second                |
| Power off      | Red LED remains solid for 1 second, then turns off |

### Bluetooth Indicator Light

| Status                 | Light Activity  |
|------------------------|---|
| Pairing mode           | Red and blue alternating flashing                     |
| Bluetooth connected    | Blue flashes rapidly three times every 2 seconds      |
| Music playback active  | Blue flashes twice every second during music playback |
| Incoming call          | Blue LED flashes steadily                             |
| In-call                | Blue illuminates briefly every 2 seconds              |
| Bluetooth disconnected | Red flashes rapidly twice every 2 seconds             |

## Safety Information

- Do not pull the cable when unplugging; always hold the plug to avoid damage.
- Remove the batteries from the headset for long-term storage.
- Please don't attempt to modify or repair the headset without proper training and tools.
- Prohibited from prolonged immersion in water.
- Keep the headset away from fire or extreme heat.
- Dispose of electronic products according to local regulations.

## Warranty Service

1. For headphones purchased from RayTalk, you are entitled to after-sales repair services provided by our company or authorized suppliers in case of product quality issues.
2. We offer a one-year limited warranty for our products, starting from the date of receipt of the goods.
3. During the warranty period, we will repair or replace products for various defects caused by raw materials or manufacturing processes, depending on the specific circumstances.

### The above warranty does not include the following:

1. Products beyond the warranty period.
2. Unauthorized dismantling and repair.
3. Failed to adhere to the product instructions, resulting in damage.
4. Damage caused by force majeure events, such as immersion, moisture, mold, and natural disasters, will not be covered under our warranty.
5. Natural aging and regular use may cause consumables to wear and tear, which are not covered under the warranty.

• PH-700A Victor User Guide and more available at [www.raytalkcomms.com/resource](http://www.raytalkcomms.com/resource)

RayTalk Communications Ltd

86 0755 83017294

sales@raytalkcomms.com

www.raytalkcomms.com

3rd Floor, Building C, Kemron Science & Technology Park, Guansheng 5th Road, Guanlan, Longhua District, Shenzhen, China, 518110

